

V2300

Technical Information Pack



Ian Thorpe OAM
Olympic Gold medalist
IKON Ambassador



Vortex Spas

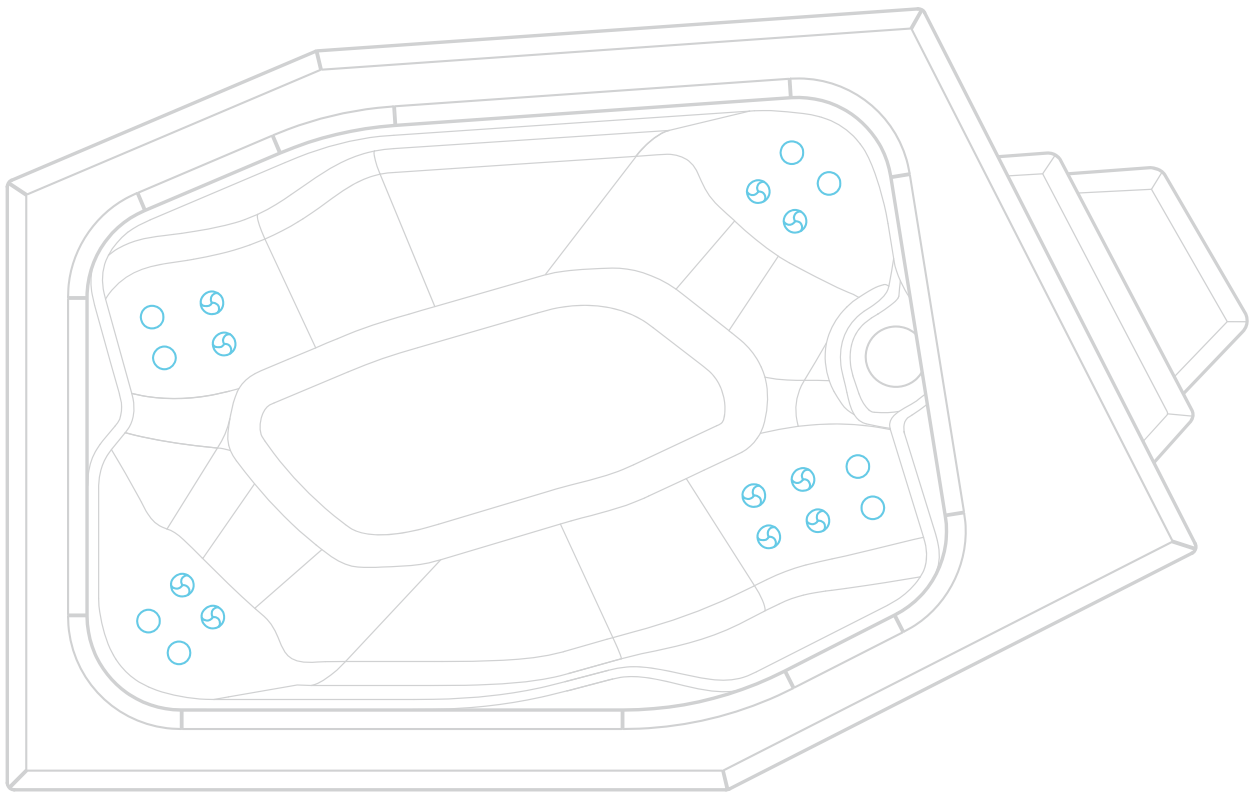



GOOD
DESIGN
AWARD®
GOLD WINNER



IKON Spa

Dimensions: 364 x 225 x 90cm

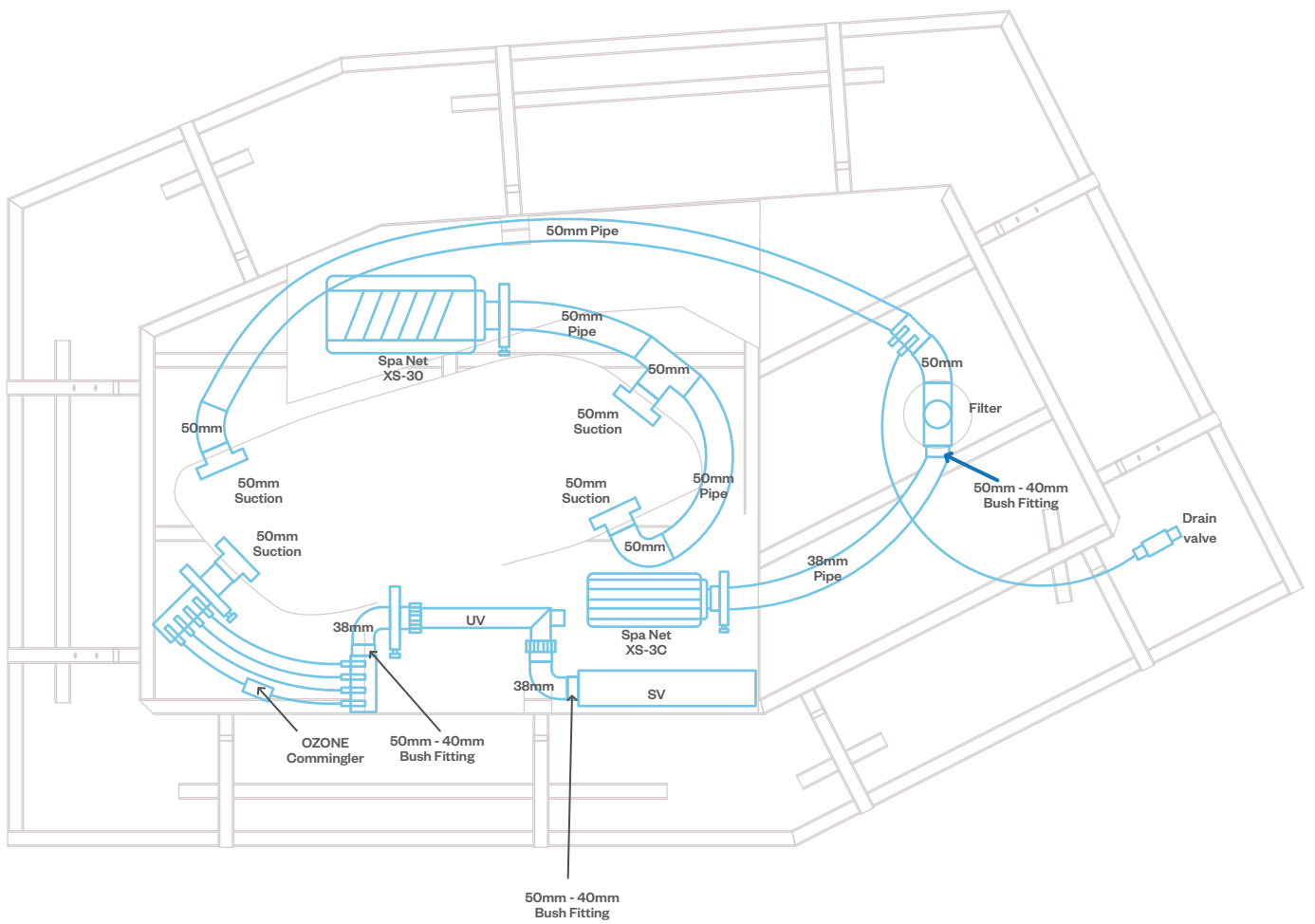


 10 x 100mm Single Spinning Jets

 8 x 100mm Directional Jets

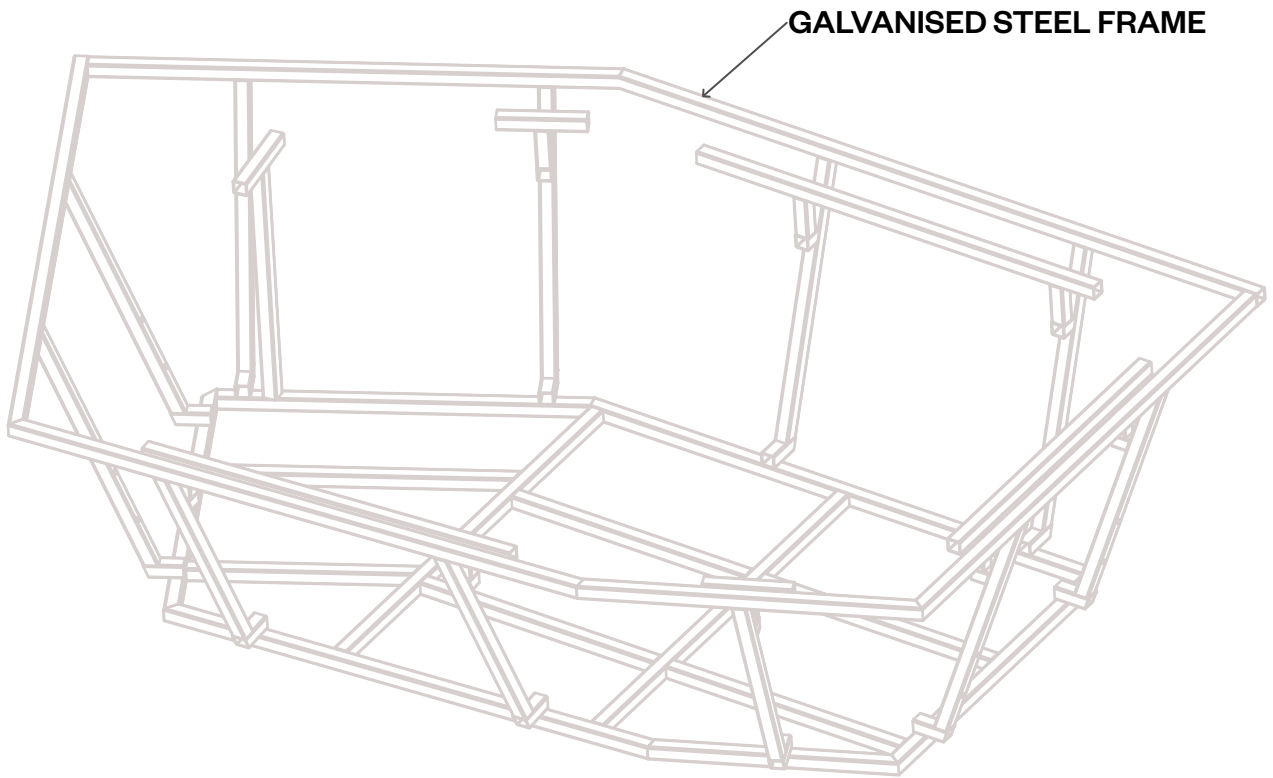


IKON Spa



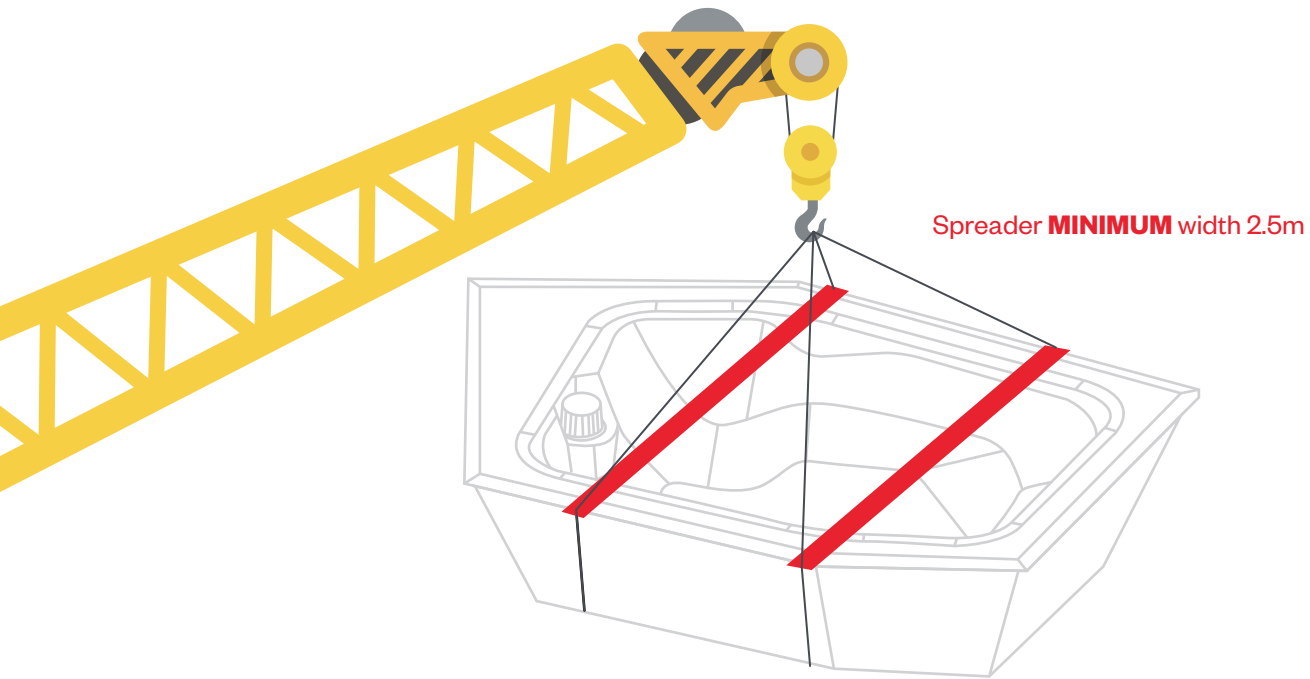


IKON Spa

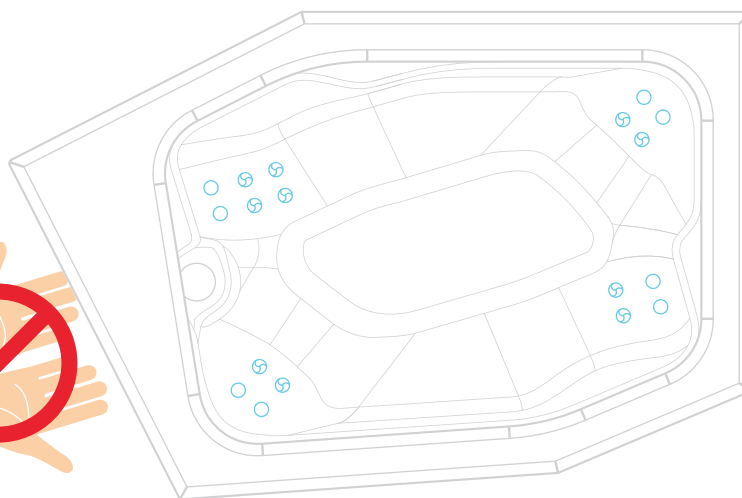




IKON Spa



NEVER lift deck



ALWAYS lift internal steel frame



IKON Spa

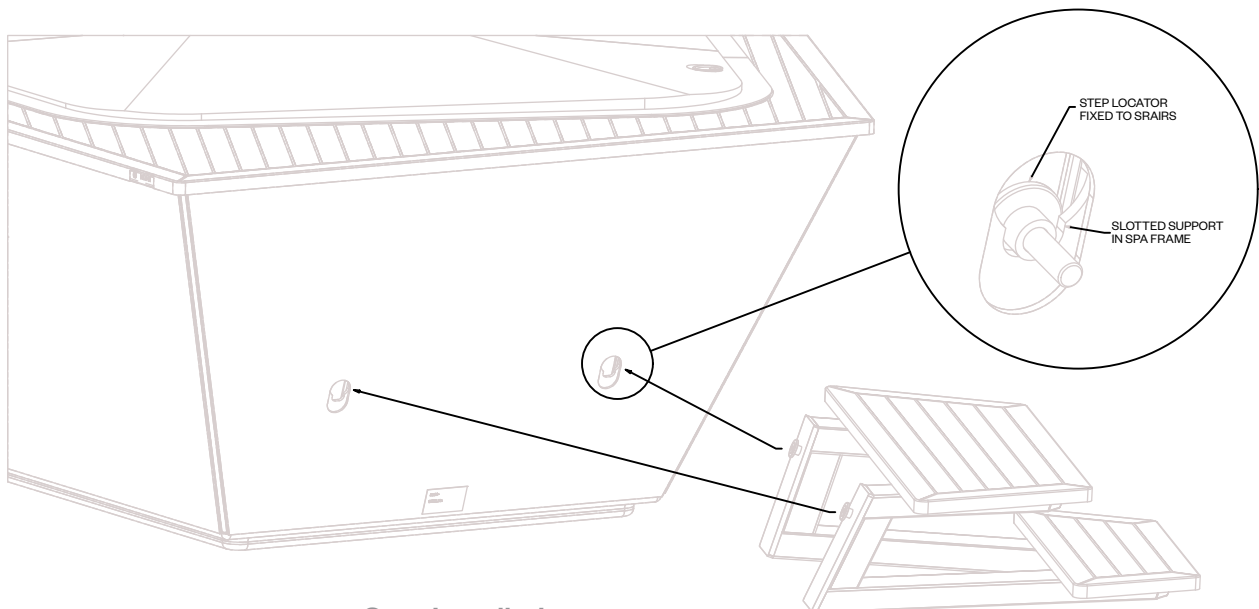
IKON assembly



Pictorial view - stair position 1



Pictorial view - stair position 2



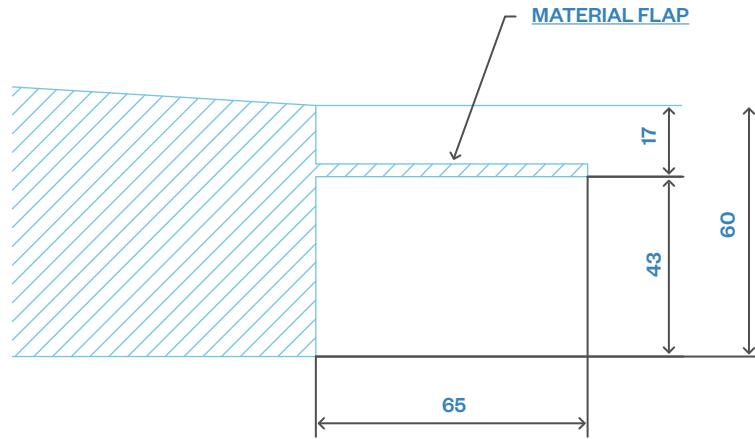
Step Installation

1. Align the step locator with the slotted supports in the spa.
2. Push downward to secure in place.

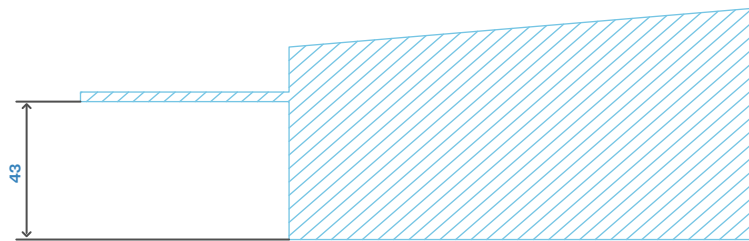
Reverse sequence for removal.



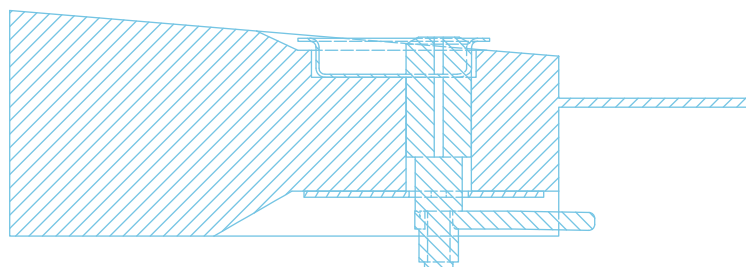
IKON Spa



SECTION B-B
SCALE (1:1)



SECTION C-C
SCALE (1:1)



SECTION D-D
SCALE (1:1)

IKON



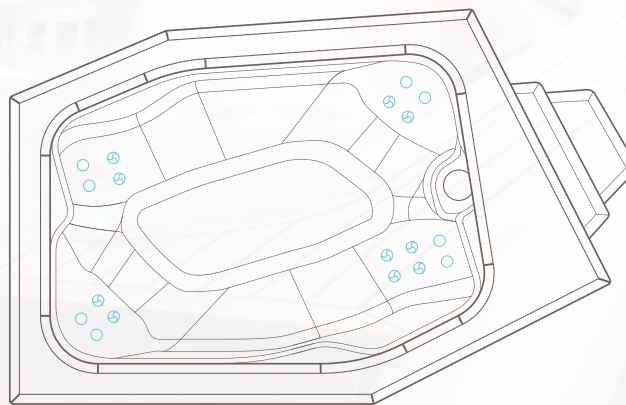
Specifications

Model	IKON V2300
Dry weight	430kg
Filled weight	1589kg
Intuitive spa controller	VSX2
Programmable circulation pump	XS3C Quietflow
Jet pump	XS30 Jetmaster
Variable output heater	3kW max
Electrical requirements	15amps max
Dimensions	3.43 x 2.25 x 0.9m
With steps	3.64 x 2.25 x 0.9m

Warranties

Frame	Lifetime
Shell structure	10 years
Acrylic surface	5 years
Jets, plumbing & heater	5 years
Pumps & equipment	2 years

Jet Layout



10 x 100mm
Single Spinning Jets



8 x 100mm
Directional Jets

Features

Build

- Flexiteek spa deck
- Aluminium composite cabinet
- Screwless quick release access
- Removable floating Flexiteek steps
- Superior Aristech acrylic finish
- Thermobond oven cured shell
- 4 deck/cabinet colour combinations
- Steel frame construction
- High impact moulded ABS base
- Duraflex 'no kink' PVC plumbing

Water care

- Purezone UV sterilising system
- CD Ozone water clarifying system

Lighting

- Programmable lighting
- Underwater LED floodlight
- Hydroglow LED jet lighting

Hydrotherapy

- Hydroflow spinning jets
- Stainless steel jet casings
- Hydrotherapy loungers

Control

- SpaNet touchscreen interface
- SpaNet premium control systems
- Smart phone app remote control
- WIFI connectivity

Efficiency

- Intelligent thermal tuning
- Sunbrella® lockable thermal hardcover
- Premium multi layer insulation
- Hybrid heat pump*
- Arctic pack insulation*

*optional